

How to Measure Custom Covers

Measurement Instruction

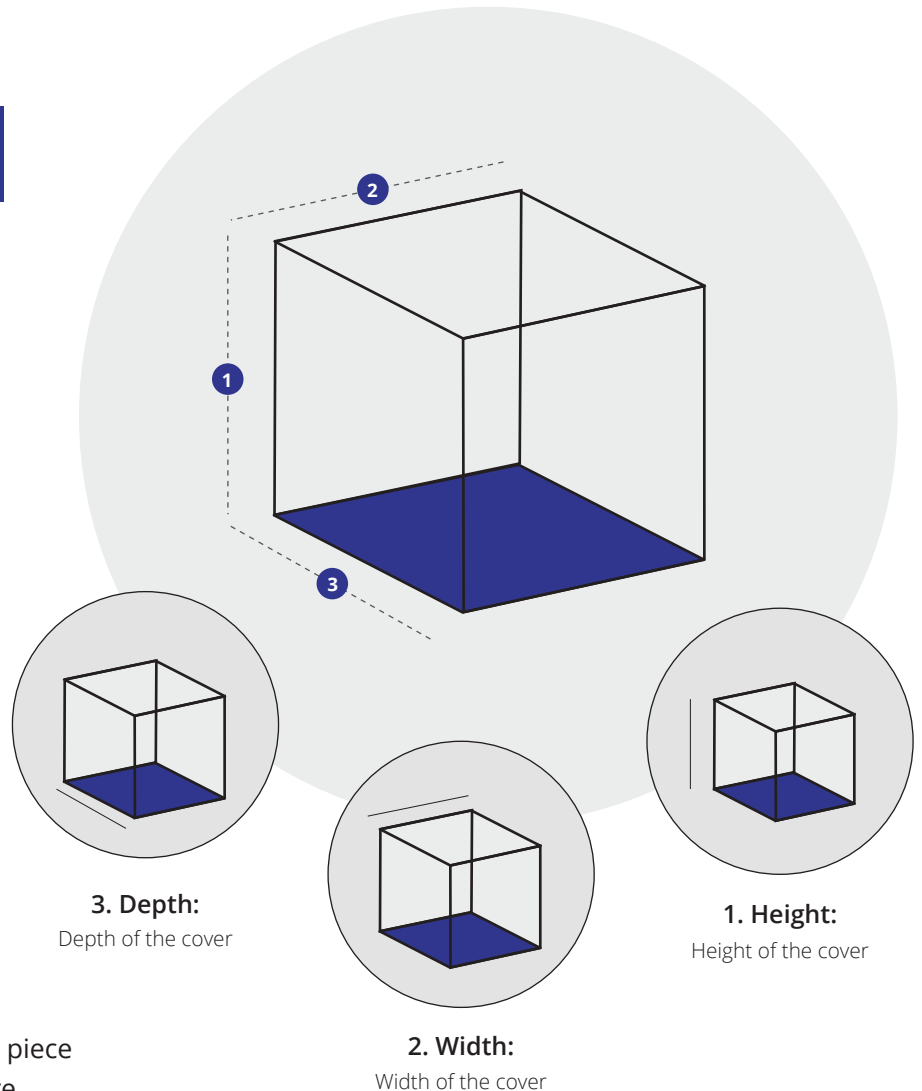
- ✓ Give exact measurement from edge to edge.
- ✓ We add 1" to 2" leeway on the given width/depth for easy pull-in and pull-out.
- ✓ The height dimensions will remain same as provided by you.

Measurement (Inches)

1. Height

2. Width

3. Depth



Feel free to upload an image of the furniture or piece you need to cover. Our team will help make sure we match your requirements