

Creative Covers INC.

Designer and Manufacturer of Protective Covers

QUOTE REQUEST FORM FOR CARTS/RACKS/EQUIPMENT

Company Name: _____ Date _____

Contact Name/Tel/E-mail: _____

Equipment Size: W x D x H (Exact)

We will add 1" to Width and Dept (wobble room)

A) _____ B) _____ C) _____

Quantity: _____

Material Choice:

- Translucent White Poly Vinyl 10oz. (Beige or Gray) Clear Vinyl 10-12oz. Nylon 210D (Black or Light Gray) Nylon 420D (Black Royal Blue or Light Gray) Polyester Canvas w/PVC backing 10oz. (Black, Charcoal, Tan/ Khaki) ESD Material (Black only) Tyvek Military Fabric 10oz. Fire Retardant Other: _____

Access:

- No Access
 One (1) Opening (corner or center). Please indicate on diagram.
 Side Load (Flap on Side B)
 Front Load (Flap on Side A)
 All Load (Flap on Side A and Side B)
 Other _____

Choose a Closure Option (if Access Type Selected):

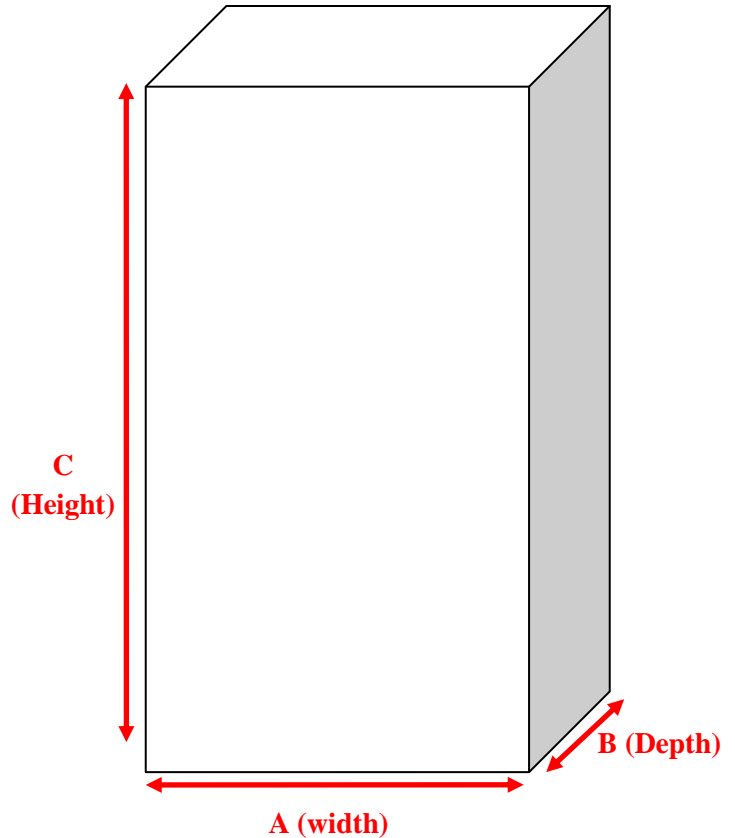
- Zipper Velcro Other _____

Ties (inner straps to fasten cover to cart):

- 4 ties - on top corners
 8 ties - all corners

Grommets: _____

Clear Document Holder 9"x12": _____



If possible, please include a picture of the item in question.

Comments: _____

Please either fax to 773-233-6889 or e-mail to sales@creativecoversinc.com. Please call if you have any questions, we are here to assist you. Thanks. –Creative Covers Inc.