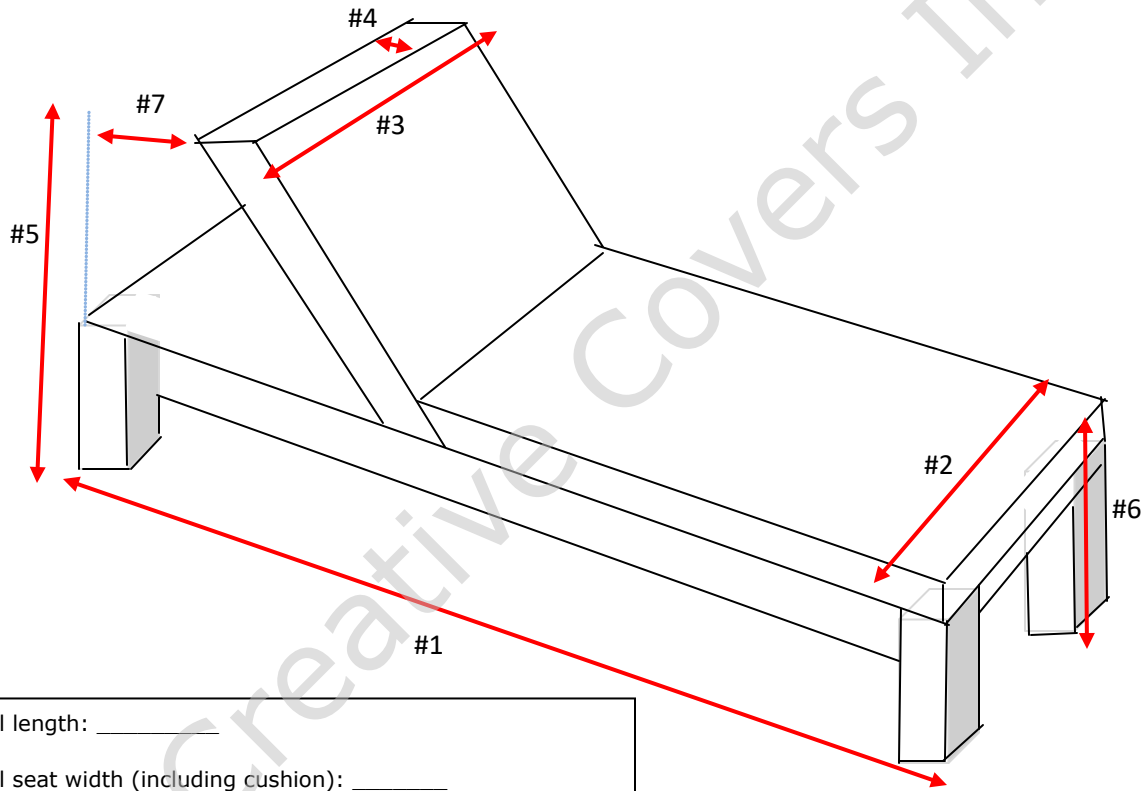




**Upright No Arm Chaise Lounge**

Customer name: \_\_\_\_\_



1. Total length: \_\_\_\_\_

2. Total seat width (including cushion): \_\_\_\_\_

3. Total Back Rest Width (including cushion): \_\_\_\_\_

4. Thickness of cushion: \_\_\_\_\_

#5) Back Height: \_\_\_\_\_

#6) Seat Height: \_\_\_\_\_

#7) Distance from imaginary line to the start of the back rest:  
\_\_\_\_\_

**\*\*\* Please submit photographs along with completed diagram. \*\*\***