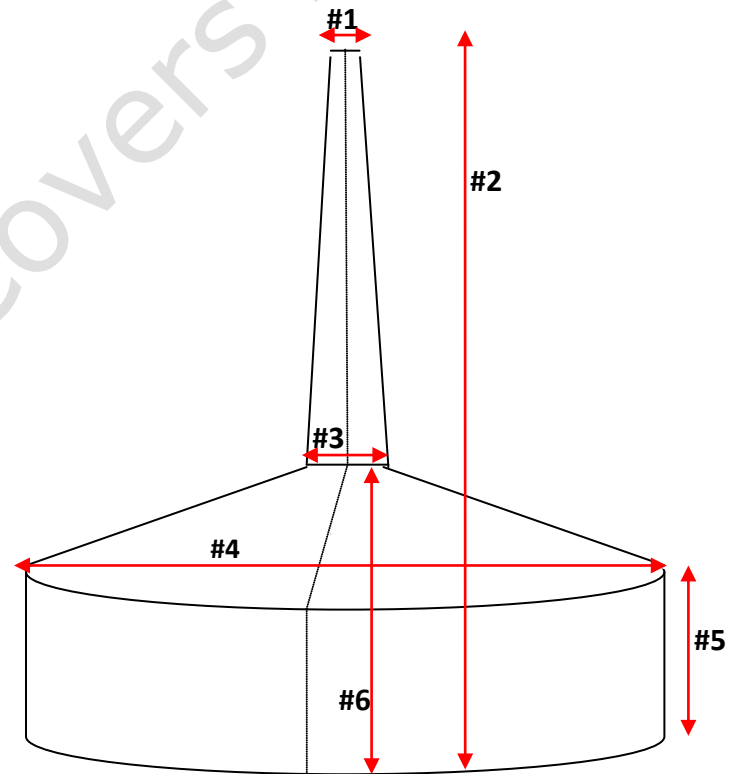




Customer name: _____

Sombrero Shape Table & Chair w/Umbrella

- 1. Diameter of top of umbrella: _____
- 2. Total height: _____
- 3. Diameter of beginning umbrella: _____
- 4. Total length of table: _____
- 5. Table height: _____
- 6. Height from bottom to the start of umbrella: _____



***** Please submit photographs along with completed diagram. *****