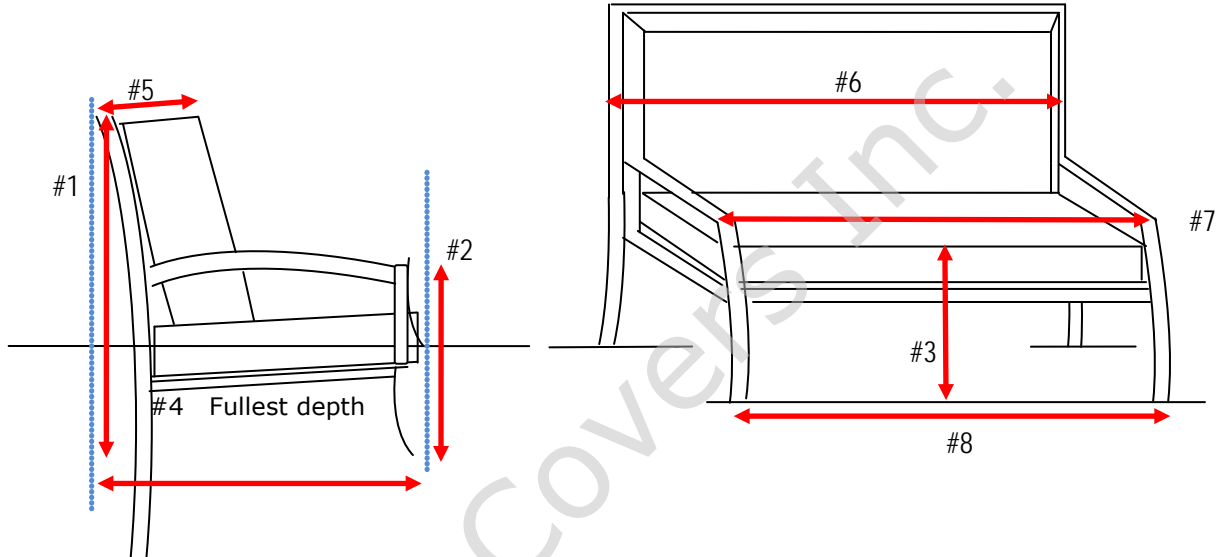


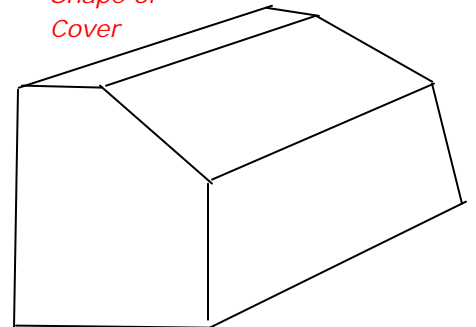
Customer name: \_\_\_\_\_

## Sofa with Long Arm Rest



1. Height of sofa in back: \_\_\_\_\_
2. Height to top of arm: \_\_\_\_\_
3. Height of seat in front: \_\_\_\_\_
4. Fullest depth of sofa: \_\_\_\_\_
5. Thickness of frame and cushion: \_\_\_\_\_
6. Width of sofa at head area: \_\_\_\_\_
7. Width at top of arm area: \_\_\_\_\_
8. Width at feet area: \_\_\_\_\_

Shape of Cover



Note on fullest depth:

If the upper part leans out past the lower part of the frame, be sure to include the upper part of the back when measuring the fullest depth of the chair/sofa.

**\*\*\* Please submit photographs along with completed diagram. \*\*\***