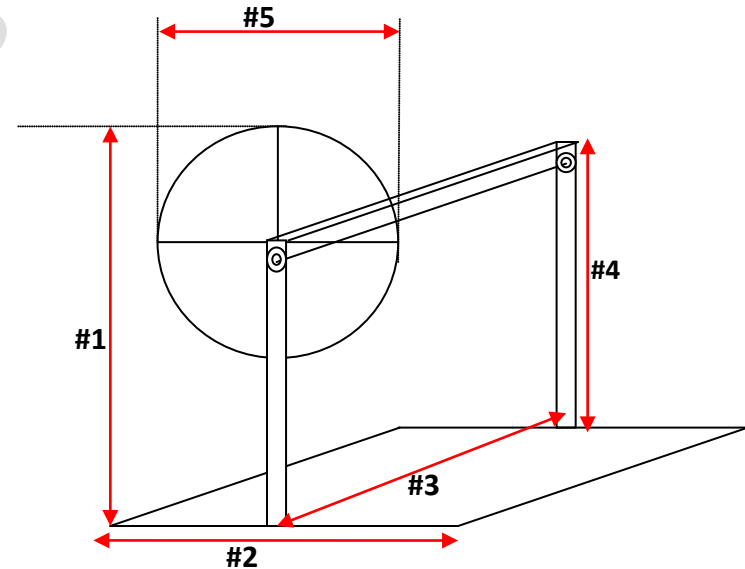
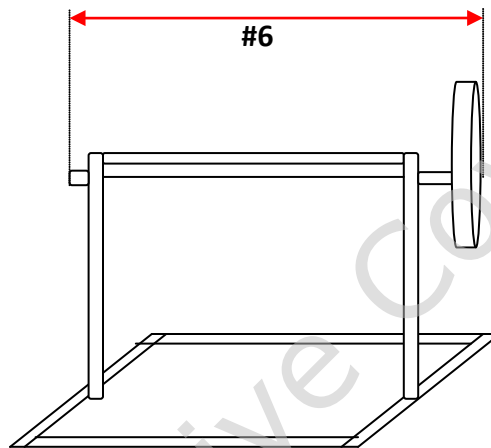




Customer name: _____

Santa Maria Grill



- 1. Height from counter to top of wheel: _____
- 2. Depth of the Santa Maria: _____
- 3. Width from outside post to outside post: _____
- 4. Height of post: _____
- 5. Diameter of wheel: _____
- 6. Total width including wheel: _____

***** Please submit photographs along with completed diagram. *****