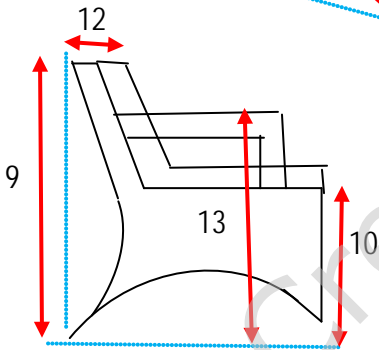
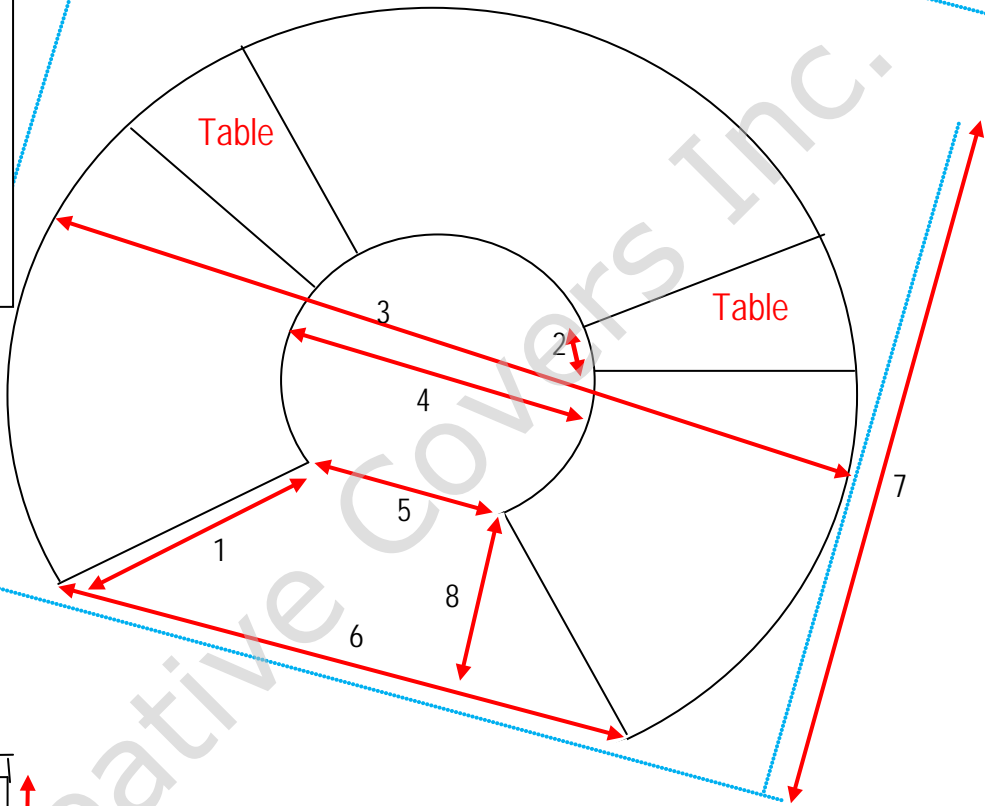


Customer name: \_\_\_\_\_

- 9. Height of sofa in back: \_\_\_\_\_
- 10. Height of sofa in front at seat \_\_\_\_\_
- 11. Height of table \_\_\_\_\_
- 12. Thickness of frame and cushion: \_\_\_\_\_
- 13. Arm height: \_\_\_\_\_

## Semi-circle Sofa with Two Tables



1. Depth of end table from front to back \_\_\_\_\_
2. Measurement of one table section along front \_\_\_\_\_
3. Widest point across sofa: \_\_\_\_\_
4. Widest point across inside of circle: \_\_\_\_\_
5. Across from front of seat to front of opposite seat: \_\_\_\_\_
6. Across from back of sofa to opposite back of sofa: \_\_\_\_\_
7. Entire sofa front to back: \_\_\_\_\_
8. Distance from imaginary line to the inside corner of sofa: \_\_\_\_\_

*For the depth of the sofa, please give the fullest depth.  
To measure the depth, please include the part of the back the leans out past the lower legs.*

**\*\*\* Please submit photographs along with completed diagram. \*\*\***