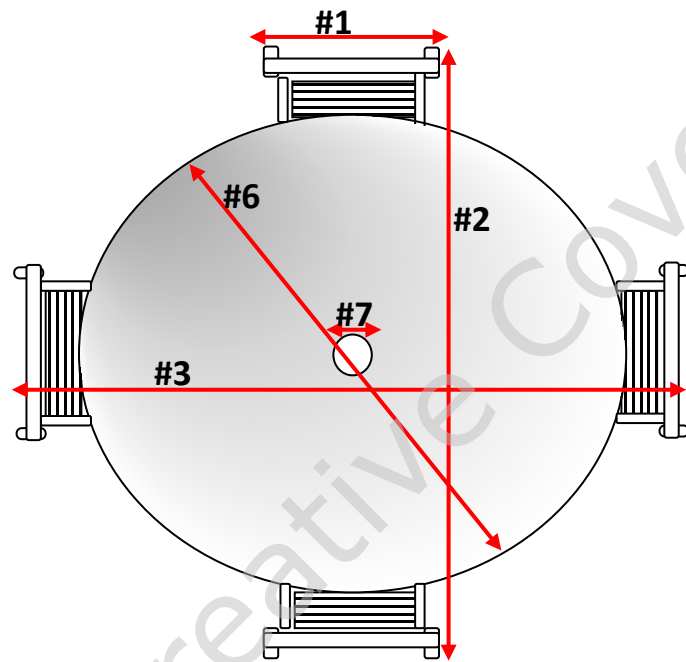
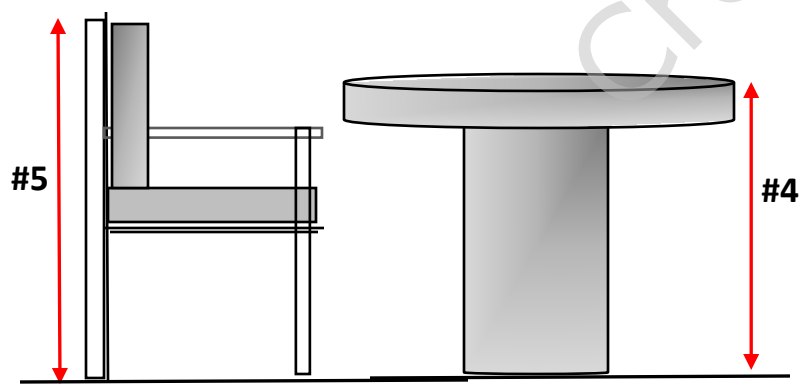


Customer name: _____

Round Table with 4 Chairs



1. Width of one chair back (side to side): _____
2. Overall width from one chair across to the other chair: _____
3. Overall length from one chair across to the other chair: _____
4. Height of table: _____
5. Height (top of chair to ground): _____
6. Table diameter: _____
7. Diameter of umbrella hole (if applicable): _____



*** Please submit photographs along with completed diagram. ***