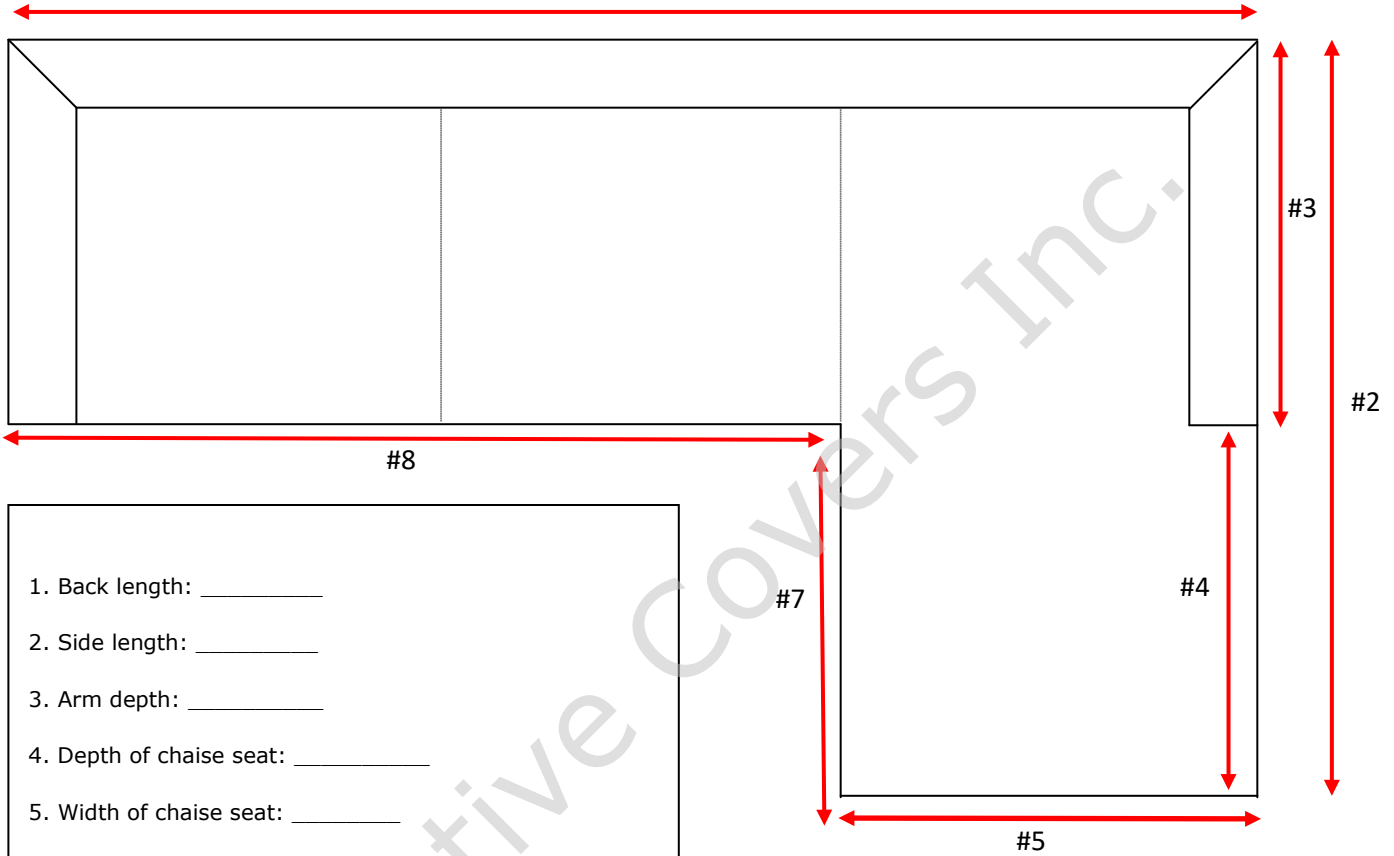


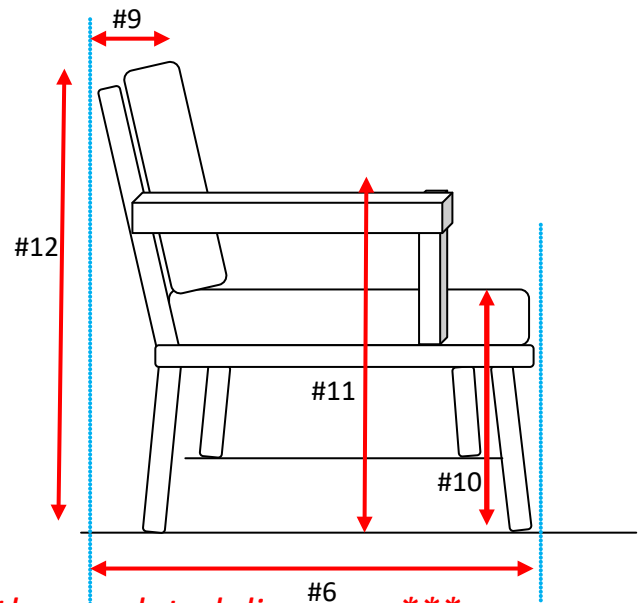
Customer name: _____

Right Arm Chaise Sectional Sofa

#1



1. Back length: _____
2. Side length: _____
3. Arm depth: _____
4. Depth of chaise seat: _____
5. Width of chaise seat: _____
6. Total seat depth: _____
7. Inside length: _____
8. Inside length: _____
9. Thickness of backrest and cushion: _____
10. Seat height: _____
11. Arm height: _____
12. Back height: _____



***** Please submit photographs along with completed diagram. *****