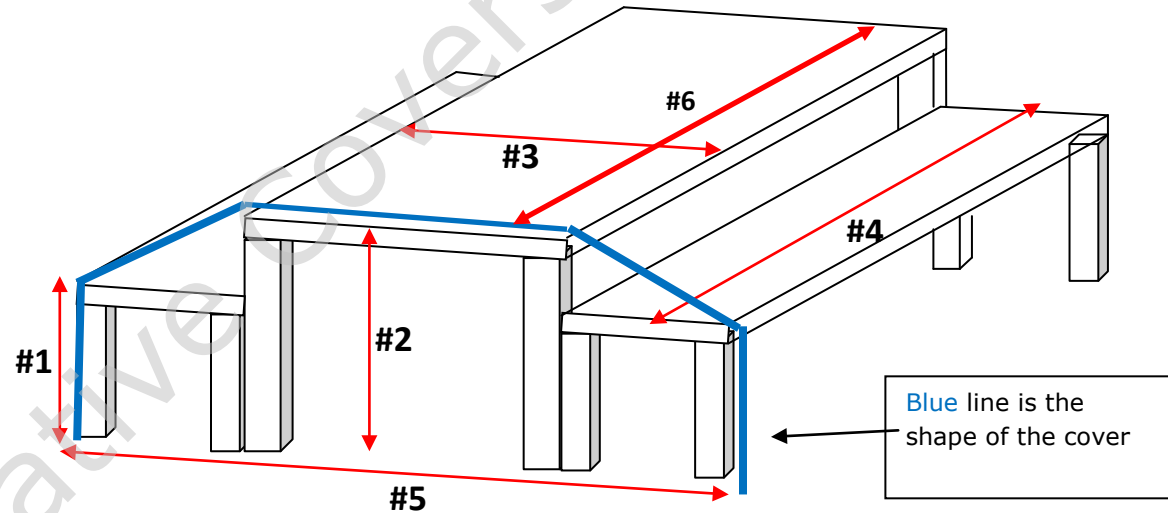


Customer name: _____

Table & Bench

1. Height of bench: _____
2. Height of table: _____
3. Width of table: _____
4. Length of bench: _____
5. Width of table & bench: _____
6. Length of table: _____



***** Please submit photographs along with completed diagram. *****