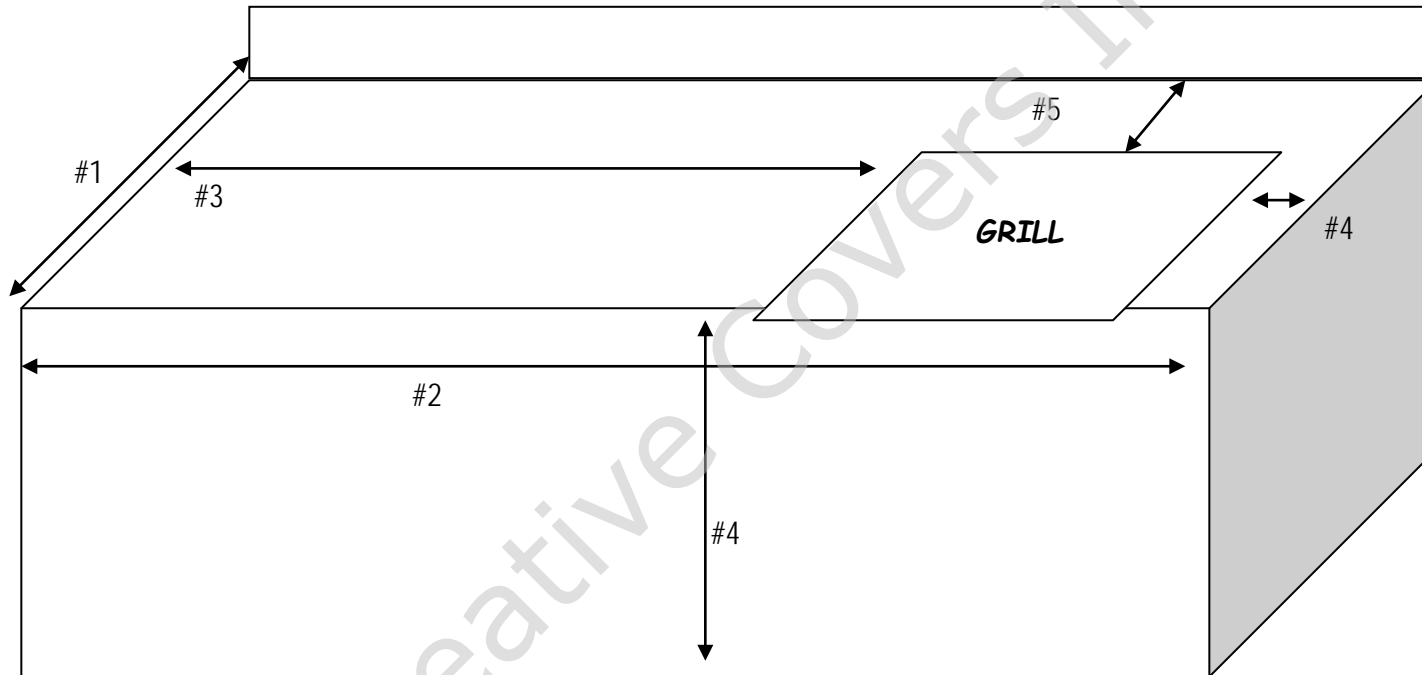




Rectangle Island with Right-side Grill & Backsplash

Customer name: _____

Grill make/model: _____



Backsplash: _____
Height: _____
Thickness: _____

1. _____ Front to back (counter only)
2. _____
3. _____
4. _____
5. _____

<u>Grill Dimensions:</u>
Grill hood left to right: _____
Grill hood front to back: _____
Grill hood height: _____

<u>Faucet Dimensions:</u>
Faucet left to right: _____
Faucet front to back: _____
Height of faucet: _____

*** Please submit photographs along with completed diagrams. ***