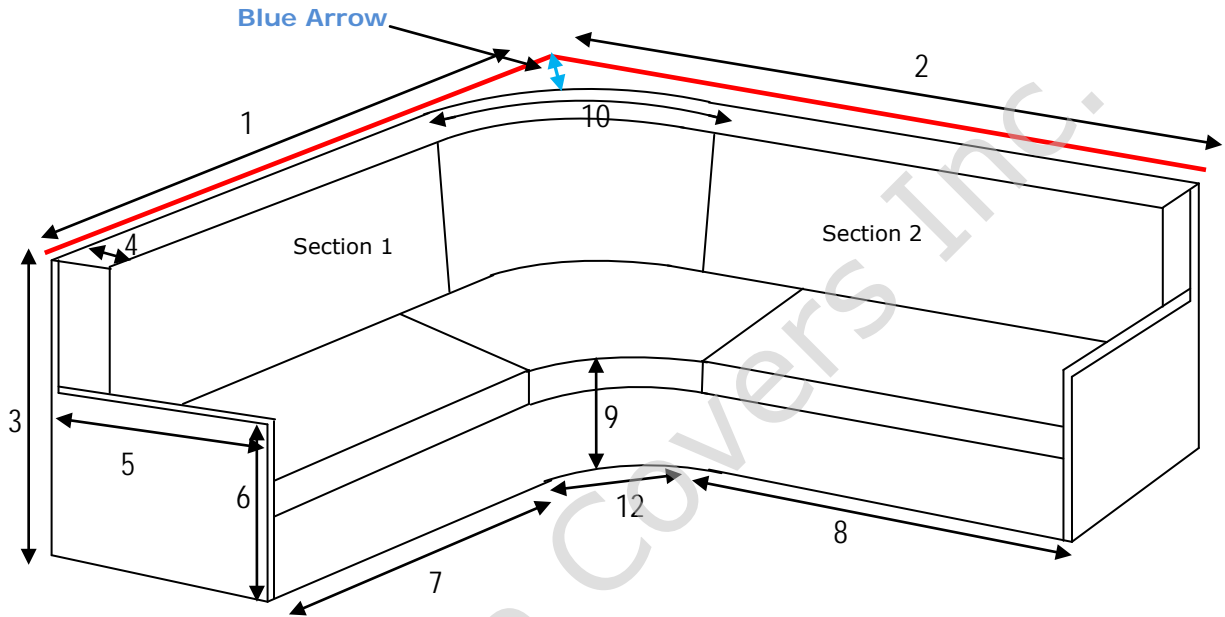




Customer name: _____

L-SHAPE SOFA



Please measure your sofa (in inches) following the above picture. Fill your measurements in below. Do not round measurements.

1. Total length of sofa back using the imaginary wall or right angle (section 1) _____
2. Total length of sofa back using the imaginary wall or right angle (section 2) _____
3. Height of sofa in back _____
4. Depth at top (back frame and cushion only) _____
5. Fullest depth of sofa (front to back including upper part of back that extends out) _____
6. Arm height of sofa (ground to arm) _____
7. Length in front along straight part (section 1) _____
8. Length in front along straight part (section 2) _____
9. Height of seat in front (including seat cushion if leaving cushions on while covering) _____
10. Length of curved section in back (bend the tape measure to measure length of curve) _____
- 11: **Blue arrow:** measure from the back of the curve to the imaginary right angle _____
- 12: Width of inside curve _____

***** Please submit photographs along with completed diagram. *****