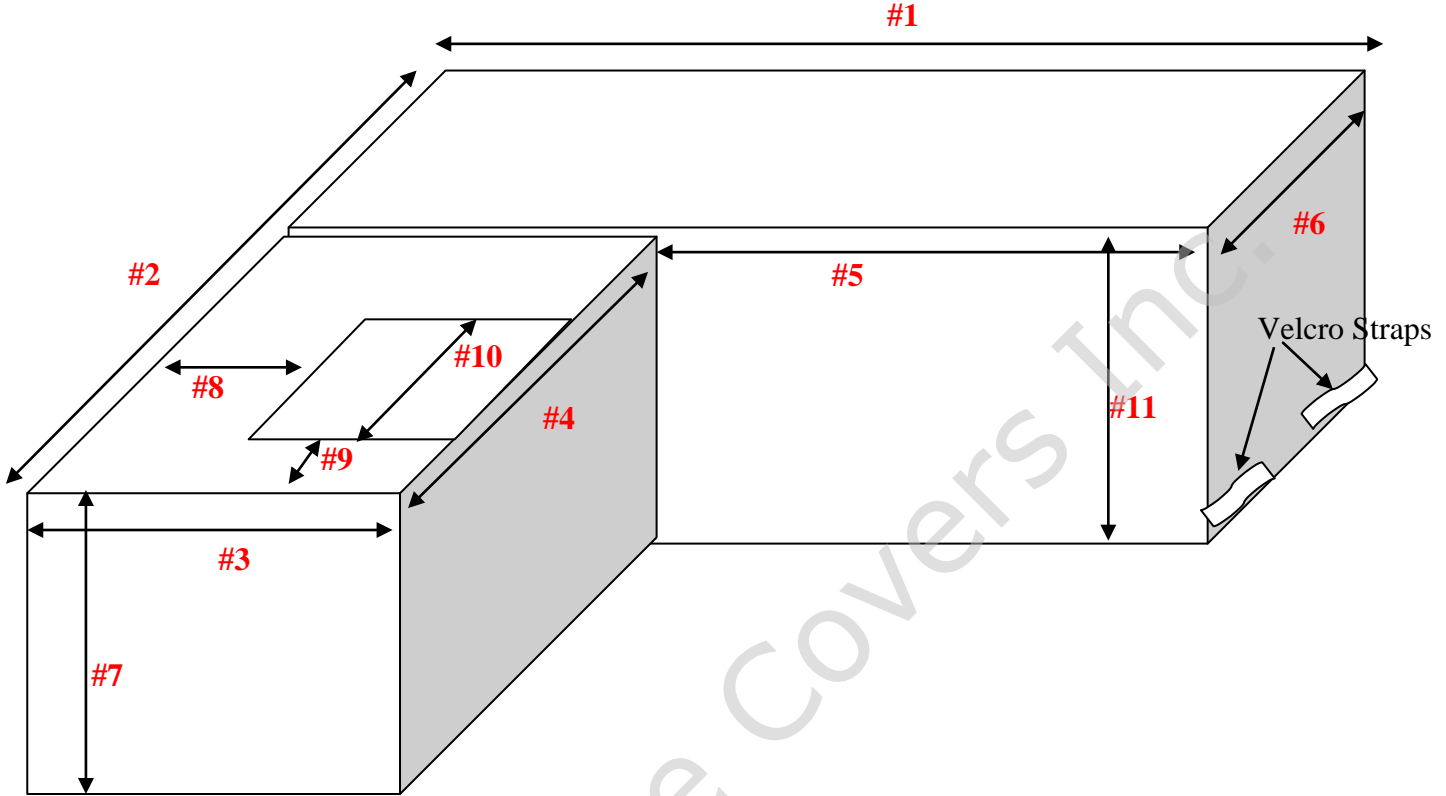


L-shape Measuring Aid II

Customer name: _____



Please provide measurements where indicated by arrows and fill in the questions below. This will ensure for a beautiful, well-fitted cover.

Grill dimension details:

Make / model: _____

Grill hood height: _____

Grill hood from left to right: _____

Grill hood front to back: _____

How many inches do the grill controls pass the edge of countertop? _____

- 1) _____
- 2) _____
- 3) _____
- 4) _____
- 5) _____
- 6) _____
- 7) _____
- 8) _____
- 9) _____
- 10) _____
- 11) _____

***** Please submit photographs along with completed diagrams. *****