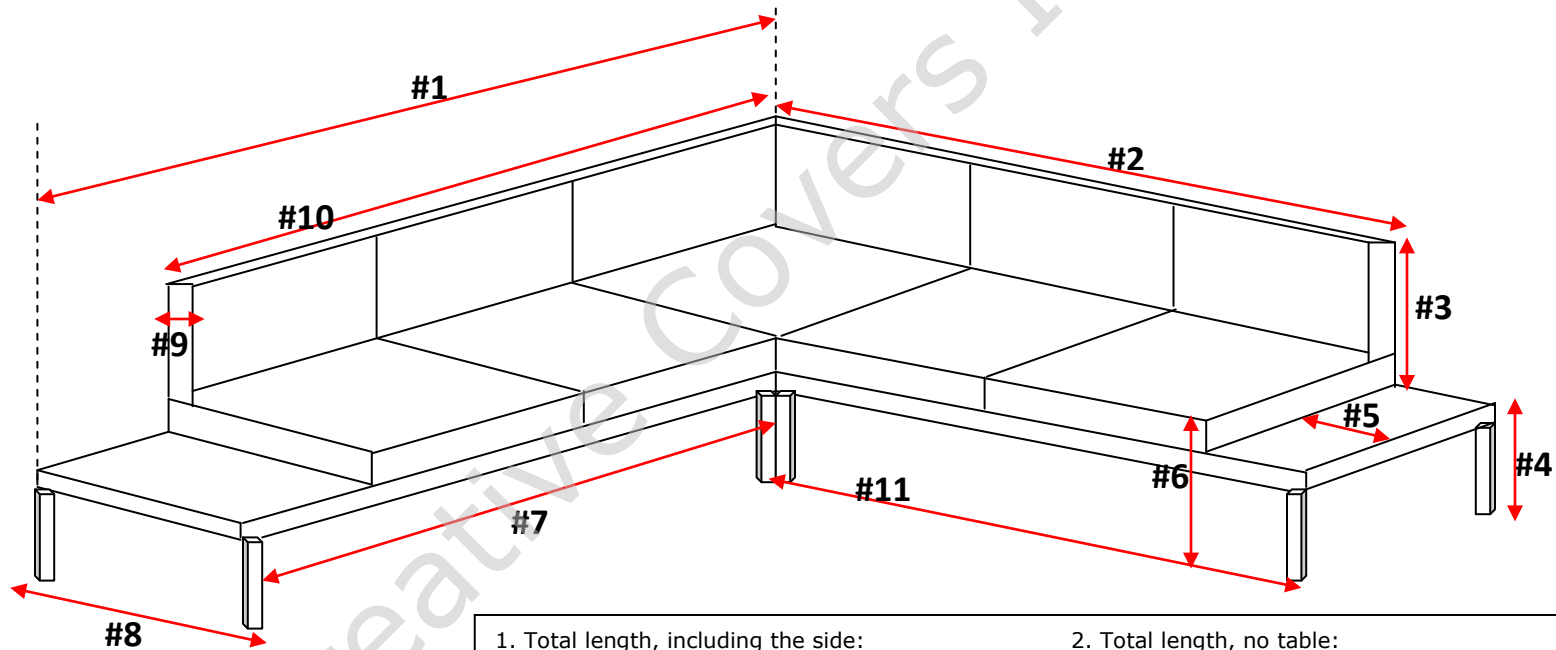




Customer name: _____

L-Shape Sofa with End Tables



1. Total length, including the side: _____	2. Total length, no table: _____
3. Height of backrest: _____	4. Height of side table: _____
5. Width of side table: _____	6. Seat height: _____
7. Inside length on the left side: _____	8. Depth of sofa: _____
9. Thickness of frame: _____	10. Total length, no table: _____
11. Inside length on the right side: _____	

***** Please submit photographs along with completed diagram. *****