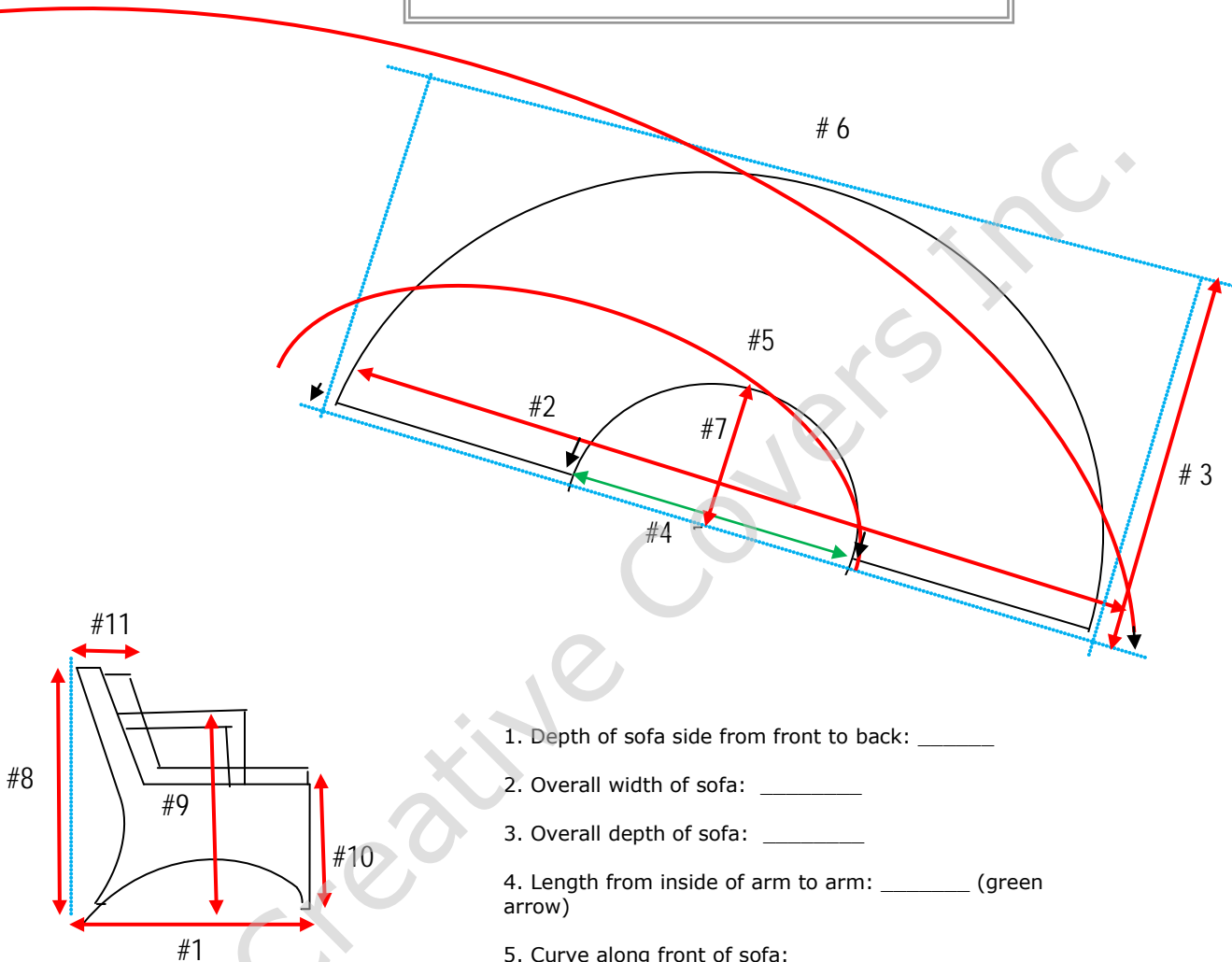


# Creative Covers INC.

Designer and Manufacturer of Protective Covers

Customer name: \_\_\_\_\_

## Half-Circle Sofa



1. Depth of sofa side from front to back: \_\_\_\_\_
2. Overall width of sofa: \_\_\_\_\_
3. Overall depth of sofa: \_\_\_\_\_
4. Length from inside of arm to arm: \_\_\_\_\_ (green arrow)
5. Curve along front of sofa: \_\_\_\_\_
6. Curved along back of sofa: \_\_\_\_\_
7. Space from front of seat in center to imaginary line \_\_\_\_\_
8. Height of sofa in back: \_\_\_\_\_
9. Height of arm of sofa: \_\_\_\_\_
10. Height of sofa at seat front: \_\_\_\_\_
11. Thickness of back frame and cushion: \_\_\_\_\_

For the depth of the sofa, please give the fullest depth.  
To measure the depth, please include the part of the back the leans out past the lower legs.

**\*\*\* Please submit photographs along with completed diagram. \*\*\***