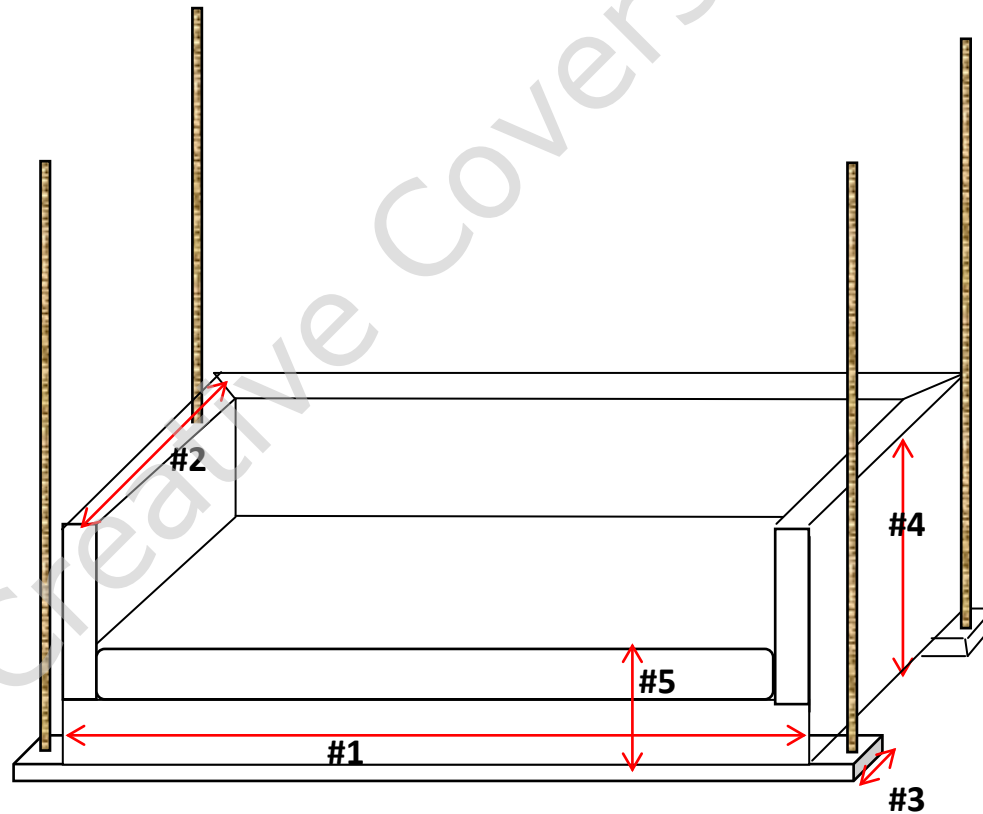




Customer name: \_\_\_\_\_

**Full Arm Swing**

- 1. Length of swing: \_\_\_\_\_
- 2. Width of swing: \_\_\_\_\_
- 3. Depth of frame: \_\_\_\_\_
- 4. Height of swing: \_\_\_\_\_
- 5. Seat height: \_\_\_\_\_



**\*\*\* Please submit photographs along with completed diagram. \*\*\***