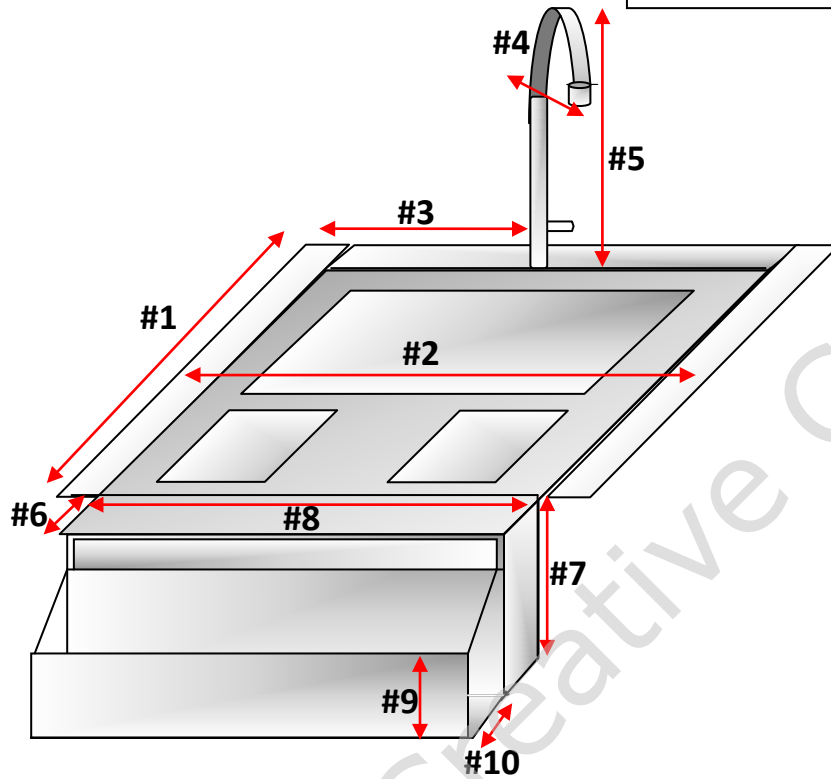


# Creative Covers INC.

Designer and Manufacturer of Protective Covers

Customer name: \_\_\_\_\_

Faucet with Extension



- 1. \_\_\_\_\_
- 2. \_\_\_\_\_
- 3. \_\_\_\_\_
- 4. \_\_\_\_\_
- 5. \_\_\_\_\_
- 6. \_\_\_\_\_
- 7. \_\_\_\_\_
- 8. \_\_\_\_\_
- 9. \_\_\_\_\_
- 10. \_\_\_\_\_

**\*\*\* Please submit photographs along with completed diagram. \*\*\***