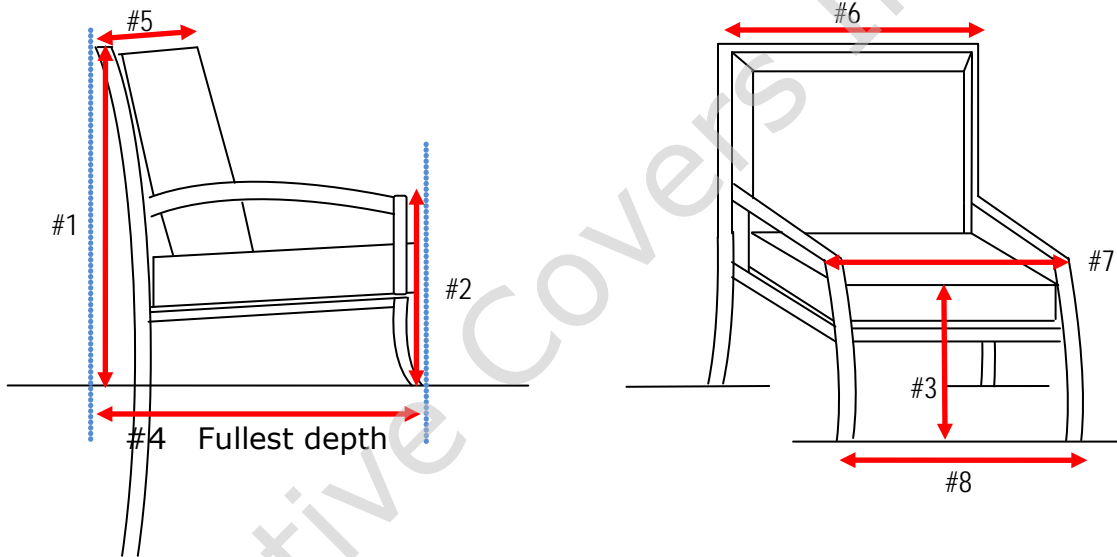




Customer name: \_\_\_\_\_

**Chair Measurements**



- 1. Height of chair in back: \_\_\_\_\_
- 2. Height to top of arm: \_\_\_\_\_
- 3. Height of seat in front: \_\_\_\_\_
- 4. Fullest depth of chair: \_\_\_\_\_
- 5. Thickness of frame and cushion: \_\_\_\_\_
- 6. Width of chair at head area: \_\_\_\_\_
- 7. Width from arm to arm: \_\_\_\_\_
- 8. Width at feet area: \_\_\_\_\_

*Note on fullest depth:*

*If the upper part leans out past the lower part of the frame, be sure to include the upper part of the back when measuring the fullest depth of the chair/sofa.*

**\*\*\* Please submit photographs along with completed diagram. \*\*\***